

In-Wall Tank and Bowl Carrier System With Dual Flush Technology



Installation Instruction

Model No: 111.335.00.1

int. 9092-05

**CHICAGO
FAUCETS** 

a **■ GEBERIT** company

964.727.00.0 (00)

1

■ GEBERIT

IN-WALL TANK AND BOWL CARRIER SYSTEM WITH DUAL FLUSH TECHNOLOGY

Geberit Model No: 111.335.00.1

Flush Volume: 1.6/08 GPF - 6.0/3.0 LPF

Product specifications

Concealed tank and bowl carrier, wall-hung two-hole toilet bowl and actuator plate.

Tank and carrier system shall fit within standard 2 x 6 wall studs placed 19 3/4" (500) apart, water supply shall be 1/2" copper, minimum water pressure 35 PSI. The bowl shall be an IAMPO listed 1.6 gallon (6 L) per flush wall hung bowl. The carrier shall have adjustable height for 15" (381) to 19" (483) bowl rim height. Actuator panels shall be die-cast zinc, plastic or stainless steel and plated to preserve the material's integrity.

Warranty

Limited lifetime warranty on tank and carrier
 10 year warranty on fill valve and flush valve.
 One year warranty on actuator plate.

Options

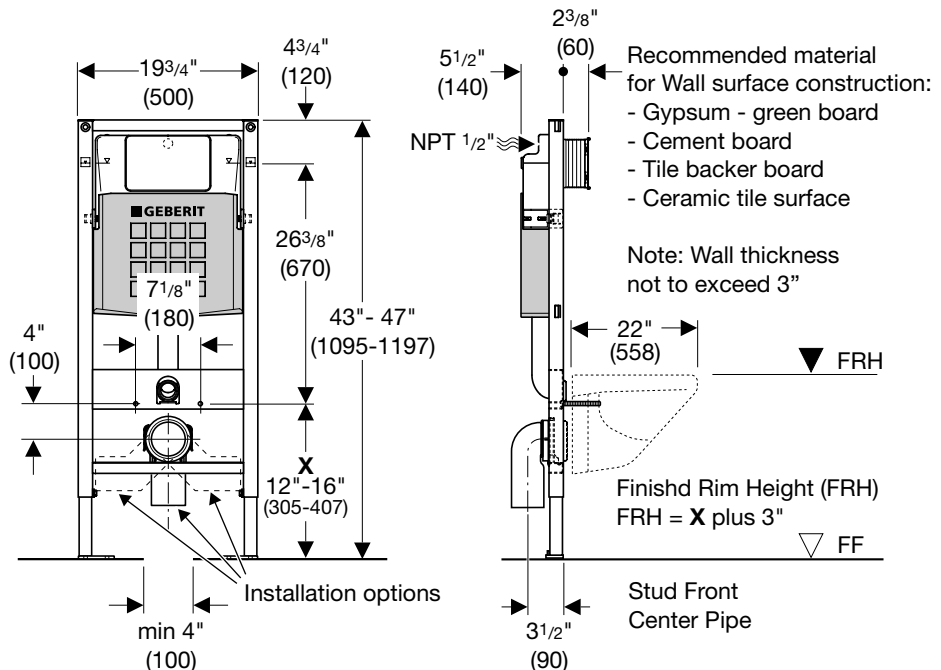
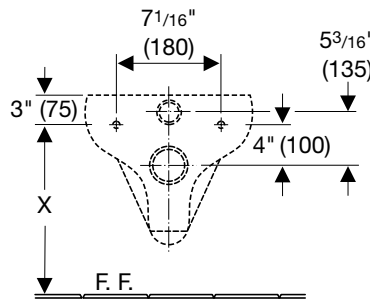
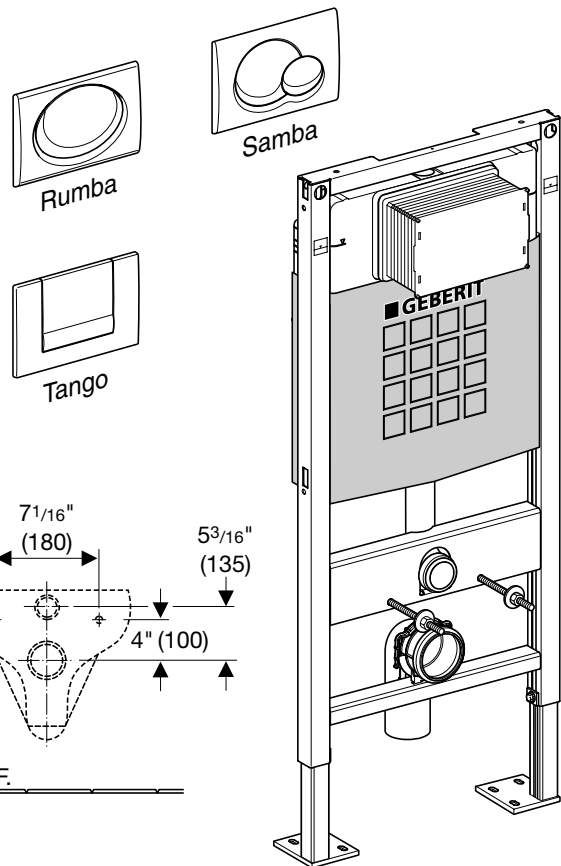
- Samba: Dual Flush Actuator-white: 115.770.11.1
- Samba: Dual Flush Actuator-chrome: 115.770.21.1
- Rumba: Single Flush Actuator-white: 115.750.11.1
- Rumba: Single Flush Actuator-chrome: 115.750.21.1
- Tango: Single Flush Actuator-chrome: 115.760.21.1
- Vertical Discharge Elbow 3" DWV standard
 - Horizontal left (366.914.16.1)
 - Horizontal right (366.913.16.1)

Features

- Square structural 16 gauge powder coated steel frame
- Water consumption - Dual flush system allows for .8 GPF (3 L) or 1.6 GPF (6 L)
- Actuator dimension
 - 9 5/8" (254) wide
 - 6 1/2" (165) height
- Carrier height adjustable range 15" (381) to 19" (483) bowl rim height
- Impact resistant high density polyethylene tank HDPE
- Insulated to prevent condensation
- Anti-siphon fill valve meets ANSI/ASSE 1002-99 standard

In Compliance with

- ASME 112.19.6
- ASME 112.6.2
- ASSE 1002
- CSA B125-98



In-Wall Tank and Bowl Carrier System – Installation Requirements

To install the tank and carrier, a 2x6" wood frame or metal frame construction will be required. The studs must be placed 19 3/4" apart (Clearance) where the carrier will be positioned inside the wall.

Bowl Finished Rim Height (FRH)

Remove carrier and installation hardware from its box. Determine FRH for the wall hung bowl and adjust the Carrier height in accordance with the requirement. The dimensions may be taken from the bowl or carrier specification sheet. Be sure to allow for finished floor and sole plate height.

Tank and Carrier Installation

Step 1: Locate the carrier supporting studs and re-enforce with additional nails. Ensure the rough-in for the carrier is plumb and square. The wall framework must be affixed on to the floor and ceiling for maximum support.

Step 2: Position the carrier unit in the prepared opening. The carrier face plate must be flush with the front of the surrounding studs so that maximum support for the wall sheeting (applied later) will be accomplished. With the carrier still in place, mark all anchor and bolt hole locations on sole plate and studs. Mark the location for the 3" DWV discharge pipe. With the unit still in place establish the location for the water supply NPT elbow for rear inlet connection.

Step 3: Pull out carrier from framework and drill six (6) pilot holes (3/16") for the supplied lag screws where marked on sole plate. Also drill six (6) bolt holes (5/16") where marked on both studs. Use hole saw and bore a 4" hole through sole plate and floor for the discharge stop out pipe. Provide and position support for the drop ear elbow (provided) for rear water supply. Extend elbow supply side with 1/2" x 6" copper tube and secure to support bracket.

Step 4: Install 3" DWV waste pipe through floor and connect to waste line (i.e. PVC, copper, cast iron).

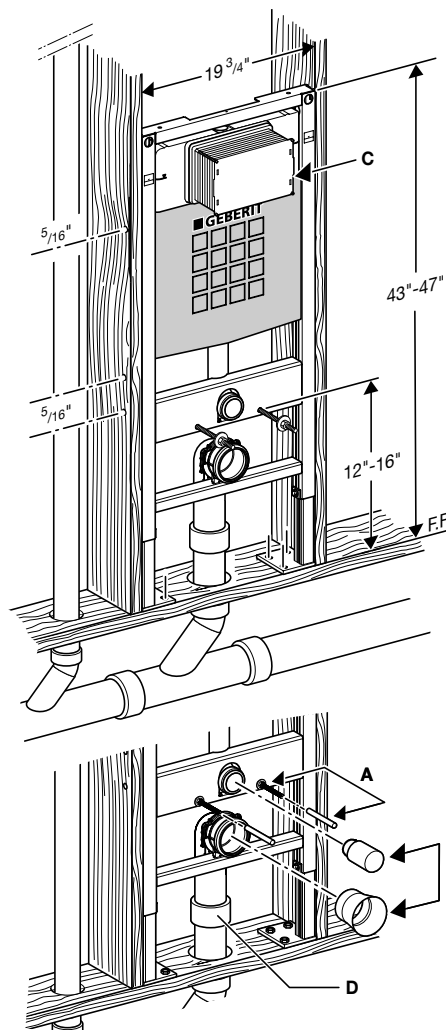
Step 5: Set carrier unit back into the framework and bolt in place with hardware provided.

Step 6: Complete waste elbow connection with 3"DWV shielded Coupling (D-provided) to waste pipe. Install supply stop valve Into NPT 1/2" elbow, keep valve closed.

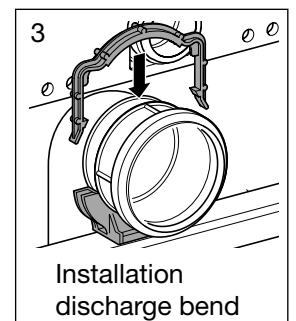
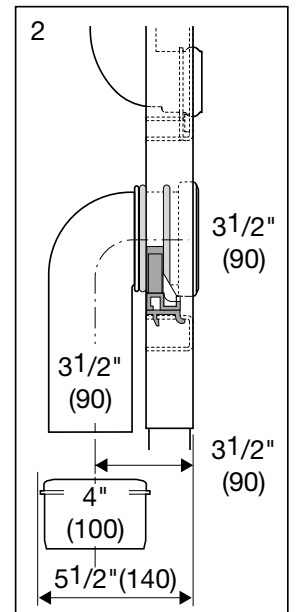
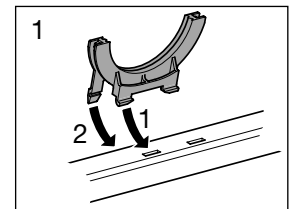
Step 7: Install two (2) 1/2" x 6" fixture support rods with plastic sleeves (A), the yellow pipe caps (B) and mud guard (C) for protection during wall surface construction.

Step 8: Install wall surface material such as high density Gybsum- Green Board, Cement Board, Tile Backer Board with optional ceramic tile finish surface as the most suitable materials. Provide cut outs for the protruding parts like rods, inlet and outlet pipes and the rectangular access box.

Note: For finish installation of bowl and actuator panel see detailed instructions.



- A Install 1/2" rods with plastic sleeves,
- B pipe plugs and
- C mud guard during the rough-in installation
- D Complete waste elbow connection with 3"DWV shielded Coupling (D-provided) to waste pipe.



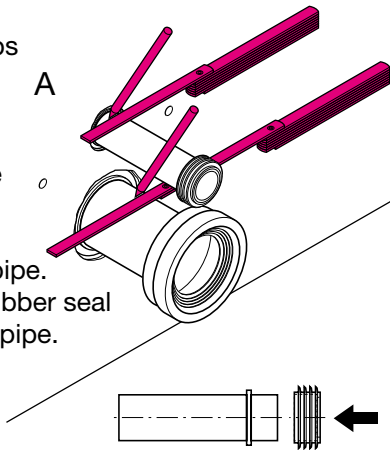
ADA Compliant

UPC®

Bowl Installation

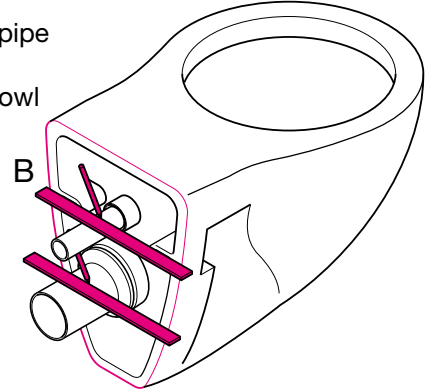
1

Remove yellow cups
Insert discharge pipe into the pipe hub in the wall. Place straight edge flush against wall and mark a line for dimension A onto pipe. Assemble finned rubber seal onto small straight pipe. Repeat same procedure for small pipe.



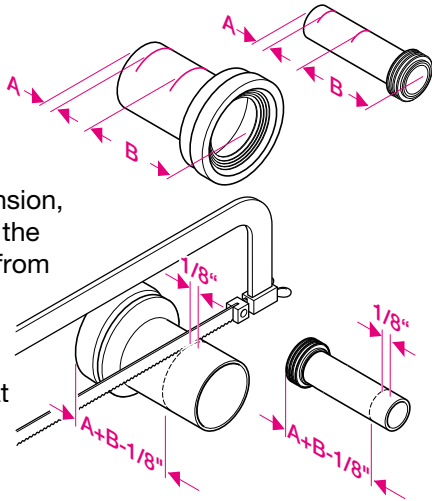
2

Place discharge pipe with gasket onto waste outlet of bowl also place inlet pipe with fin gasket into inlet of bowl. Mark a second line for dimension B on both pipes.



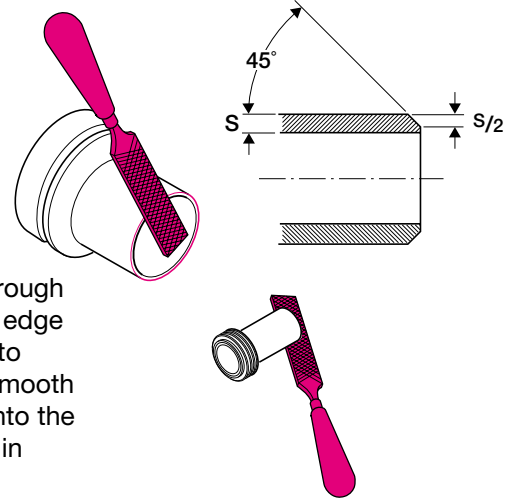
3

Add dimension A and B and subtract 1/8". Using that dimension, mark a line onto the pipe measuring from the hub side. Cut off the pipe at the line with hacksaw. Repeat for small pipe.



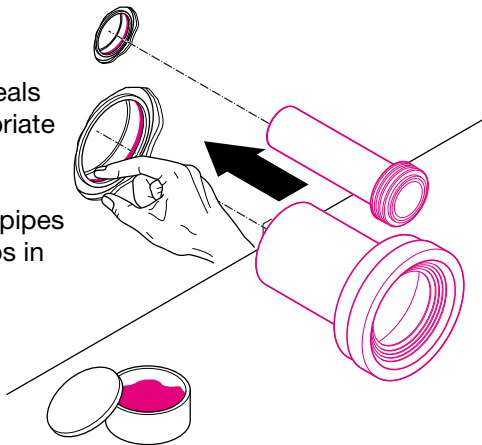
4

Bevel the rough and sharp edge as shown to assure a smooth insertion into the pipe hubs in the wall.



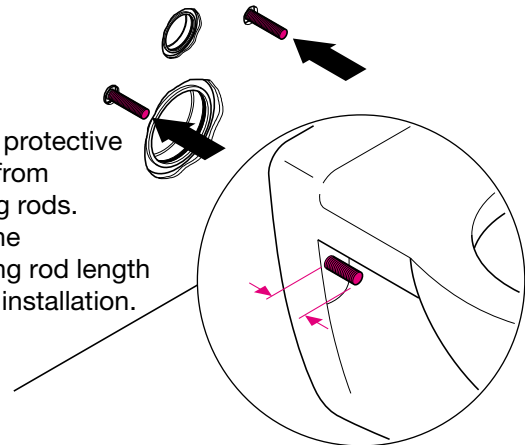
5

Lubricate seals with appropriate rubber seal lubricant. Install both pipes into the hubs in the wall.



6

Remove protective sleeves from mounting rods. Determine protruding rod length for bowl installation.



UPC®

Bowl Installation

7

Adjust mounting rods to equal T" bowl wall thickness plus one (1") for parts 1, 2, 3 (Figure 10) secure rods with lock nuts.

8

Apply mastic or sealant to backside of bowl or add optional pad (see pos. 9)

9

Note:
Sound barrier pad optional, separate order required.

10

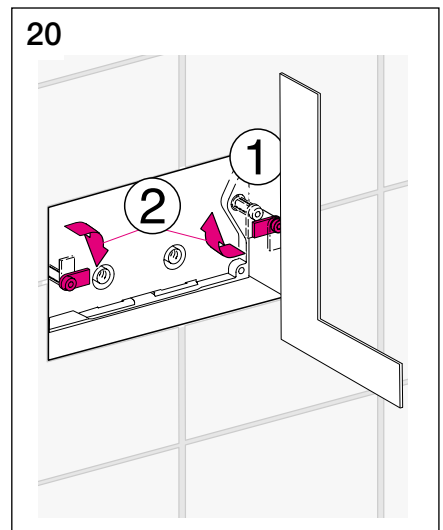
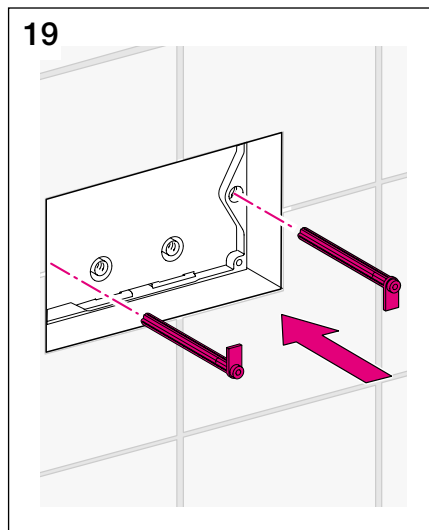
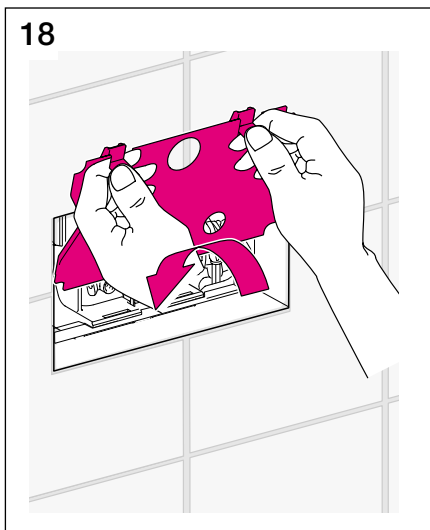
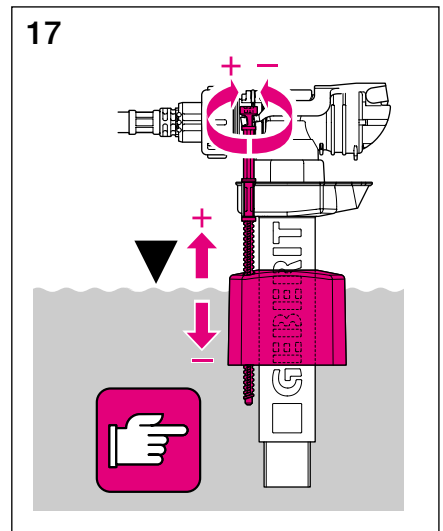
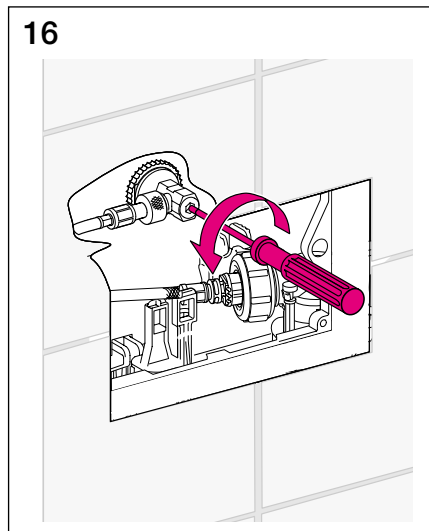
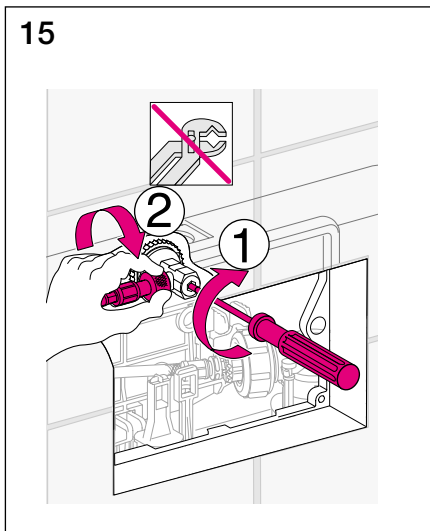
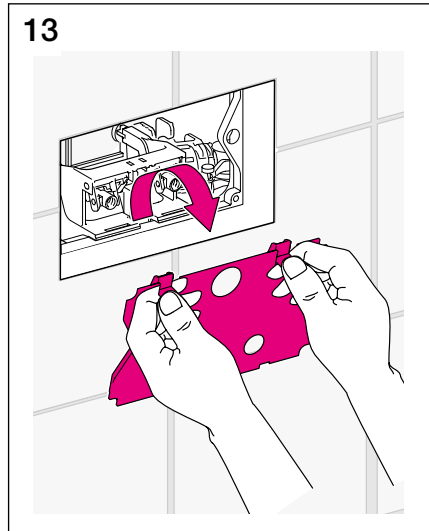
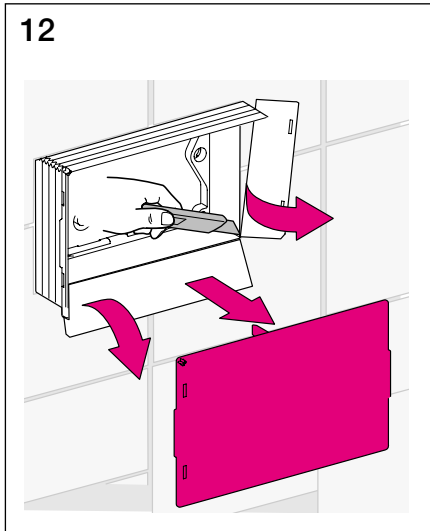
Place bowl onto rods. Attache cap washer with nose up and forward onto rods install washer and hex nuts tighten loosely. Level bowl. Tighten hex nuts. **DO NOT OVERTIGHTEN !!!** Snap on the Bolt caps.

11

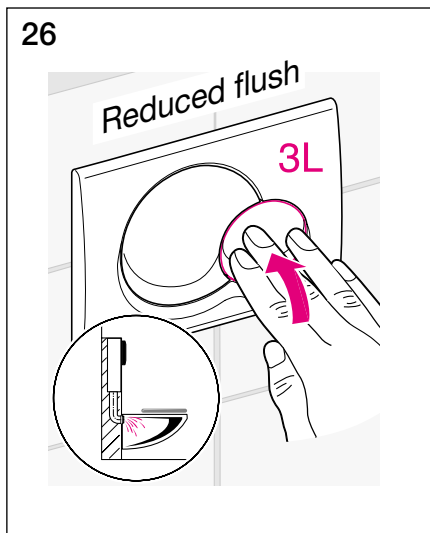
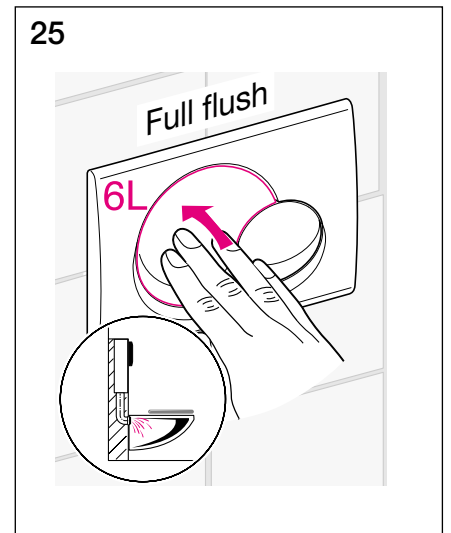
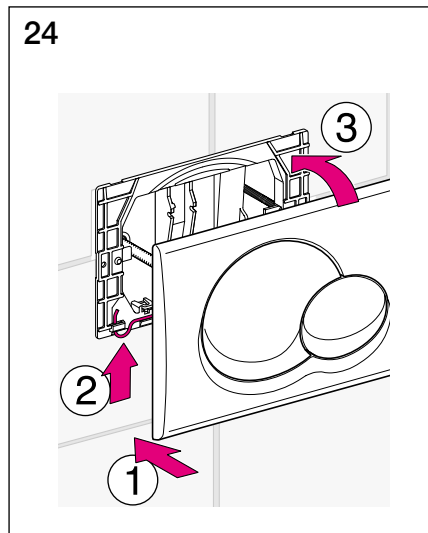
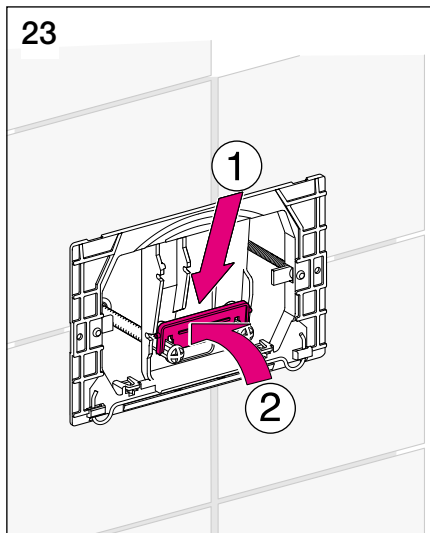
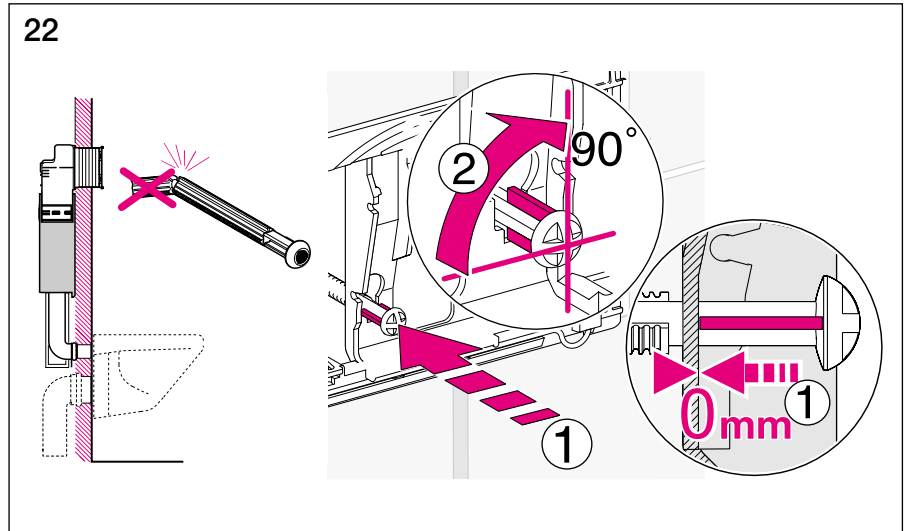
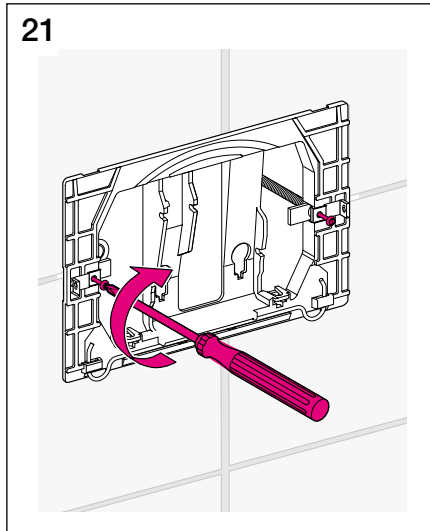
Caulk gap around bowl with water-proof sealant.

Please turn page for Access Panel and Flush Actuator Installation instructions.

Flush Actuator Installation



Flush Actuator Installation



IN-WALL TANK AND BOWL CARRIER SYSTEM WITH DUAL FLUSH TECHNOLOGY

TROUBLESHOOTING

PROBLEM	POSSIBLE CAUSE	POSSIBLE SOLUTION
WATER CONTINUES TO RUN AFTER FLUSH CYCLE IS COMPLETE	Flush valve is not seated properly.	Remove actuator or access panel to reach flush valve. Press down on valve to ensure complete seal.
	Water runs into overflow tube; the water level is too high in tank.	Remove actuator or access panel. Turn spindle counter clockwise to lower water level in tank.
	Water is leaking from Fill Valve.	Remove actuator or access panel. Check connection.
WASTE IS NOT REMOVED FROM BOWL	Water level is too low in tank; flush is less than 1.6 gallons.	Remove actuator or access panel. Turn spindle clockwise to increase water level in tank.
	Bowl or sewer line is clogged.	If bowl trap is clogged, plunge toilet if no result, snake as needed.
BOWL MOVES DOWN WHEN WEIGHT IS APPLIED	Bowl to wall installation have come loose with use.	Tighten nuts to tighten bowl firm to wall.
	Improper wall surface used to mount bowl. Gypsum-green board, cement board, tile backer board or ceramic tile surface are recommended materials for mounting.	Remove bowl and install one of recommended surfaces on wall. Remount bowl.
SYSTEM SHUTS OFF BEFORE CYCLE IS COMPLETED	Flush rod is improperly installed.	Remove actuator. Adjust rod length visit picture no 22 of instruction.

CHICAGO FAUCETS WARRANTY / GEBERIT BRAND PRODUCT In-Wall Tank and Bowl Carrier System

Chicago Faucets will either replace or repair the defective equipment or refund the purchase price, at its option, if an inspection by Chicago Faucets or its authorized representative discloses any manufacturing defects in material or workmanship during this period. Chicago Faucets will not be liable for any labor or other expenses not specifically stated above, and disclaims any responsibility for incidental or consequential damages. Warranties implied by law, including that of merchantability, are expressly limited to the period of this warranty. This limitation and exclusion does not apply in those states that do not allow limitations on the duration of implied warranties. Or the exclusion may not apply to you. This warranty gives you specific legal rights and you may have other rights, which vary from state to state.



a **■ GEBERIT** company

2100 Clearwater Drive, Des Plaines, IL 60018-5999
www.chicagofaucets.com
Phone: (847) 803 5000 • Fax: (847) 298-3101
For Technical Assistance 800 / TEC-TRUE (800-832-8783)



Geberit Manufacturing, Inc.
1100 Boone Drive, Michigan City, IN 46360
www.us.geberit.com
Phone: 219 / 879-4466 • Fax: 219 / 872-8003
For Technical Assistance 800 / 225-7217