

Farmer Kitchen Sink

Cat. No.
6942



Copper Double Bowl



W: 34"

D: 21"

Interior Dimensions:

Basin: 14" x 17 1/4" Each Bowl

Basin Depth: 9"

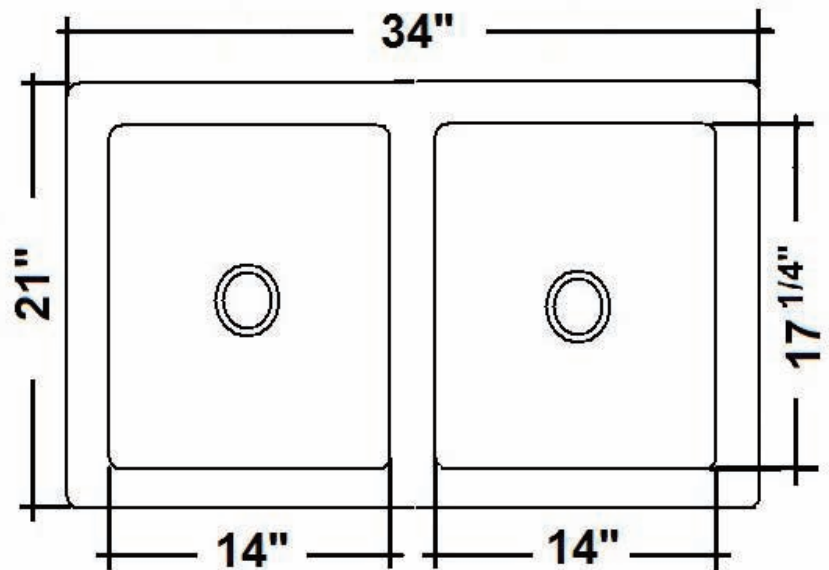
Features

- ▶ 16 Gauge Metal
- ▶ Can be Used with Garbage Disposals
- ▶ Copper is a Living Finish and will Patina Over Time
- ▶ No Overflow

Finishes:

AC Hammered Antique Copper

Compliance Certification
Material is consistent with
UNS C81100 Copper Casting
Alloy with respect to chemical
composition.



Dimensions of fixture are nominal and may vary within the range of tolerances established by ANSI Standard A112.19.2. Dimensions and specifications subject to change without notice.