

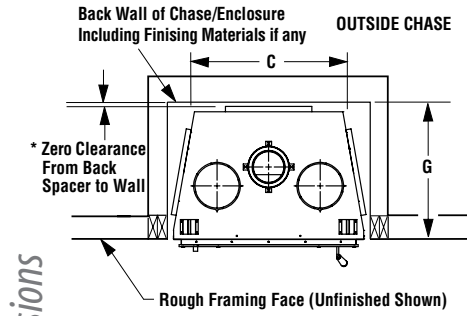
# Montecito™

## Wood Fireplaces Specifications

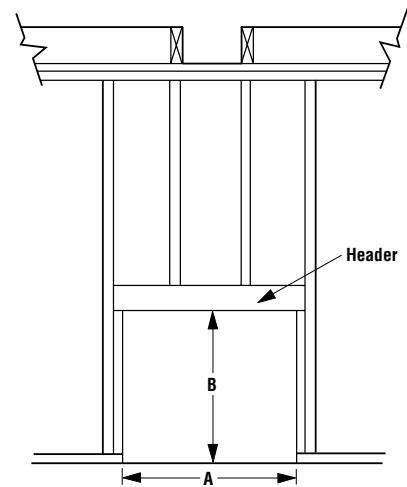
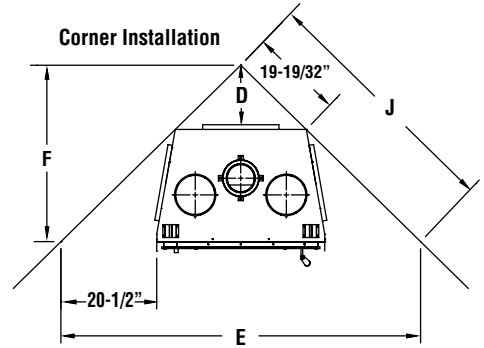
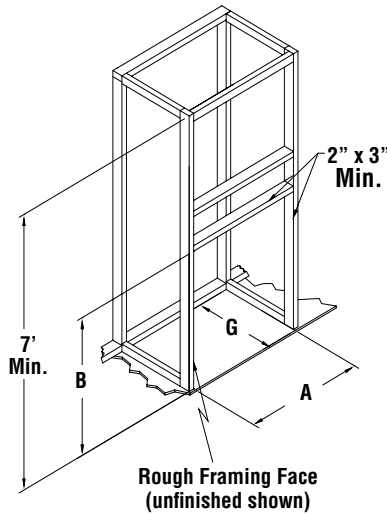
PRODUCT REFERENCE INFORMATION	
Model: MONTE, Cat. No. H4841	
Weight	300 lbs
Height	36"
Width	36"
Depth	24-1/2"
Firebox W x H x D measured in front	22" x 11-3/4" x 12"
Chimney weight ASHT (6" dia)	6.25 lb/ft.
Chimney weight AC (6" dia.)	3.25 lb/ft.

FRAMING DIMENSIONS		
Fireplace Opening Width		
A	36-1/4"	921 mm
B	42"	1067 mm
C	30-1/16"	764 mm
D	13-1/2"	343 mm
E	77"	1956 mm
F	37-1/2"	953 mm
G	*24-1/2"	603 mm
J	53-3/4"	1365 mm

\* Total depth is 25 inches including the backspacer minus 1/2 inch for drywall to be flush with the facing.



Framing Dimensions

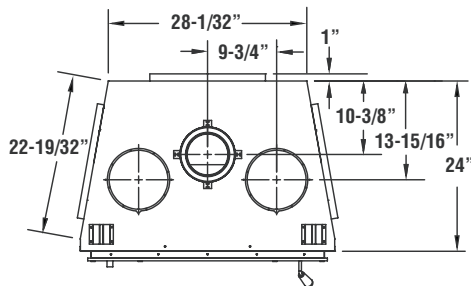


Listing Information



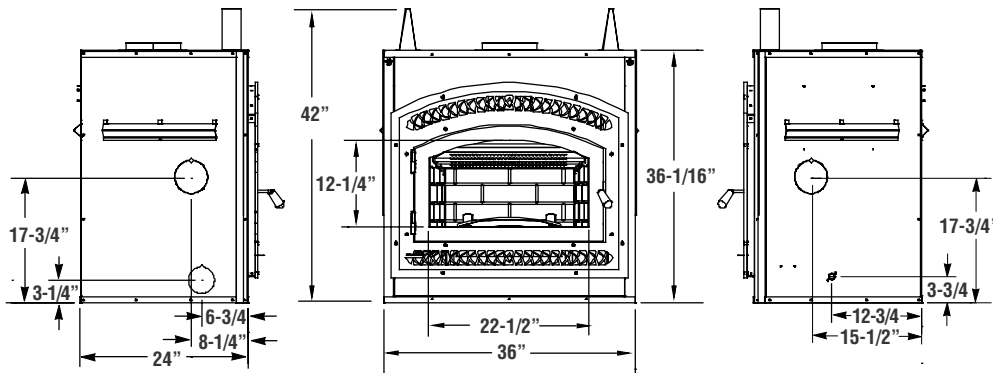
These fireplaces have been tested and listed by ITS - Listing mark, Warnock Hersey to ULC-S610 & UL-127.

Report No. 307-4084  
EPA Cert. No. 537



Notes
Due to Lennox' ongoing commitment to quality, all specifications, ratings and dimensions are subject to change without notice.
All framing dimensions calculated for 1/2" dry wall at the fireplace face. If sheathing the chase or finishing with other thickness materials, calculations will need to be made.
* The fireplace must not be in contact with any insulation or loose filling material. Cover the insulation with Drywall panels around the fireplace.

Fireplace Dimensions



### PARTS REQUIRED

- 6" diameter chimney - Model ASHT+, S-2100+, HT6000+, HT6103+ or AC manufactured by Security Chimneys International only, including:
  - Chimney lengths
  - Elbows (where necessary)
  - Associated components as per these installation instructions
- Decorative Door - Required (Order Separately)
  - Available in black, gold or brushed nickel
- Front Facade kit - Required (Order Separately)
  - Available in black, brushed nickel or hammered steel
- UZY5 blower (Included)
- VRUW Blower Speed Control (Included)
- Outside air kit (Included)

### OPTIONAL EQUIPMENT

- Additional Equipment
  - AC Chimney Adaptor (required if using AC Chimney)
  - AC chimney outside air kit
  - Gravity venting system
  - Rigid firescreen

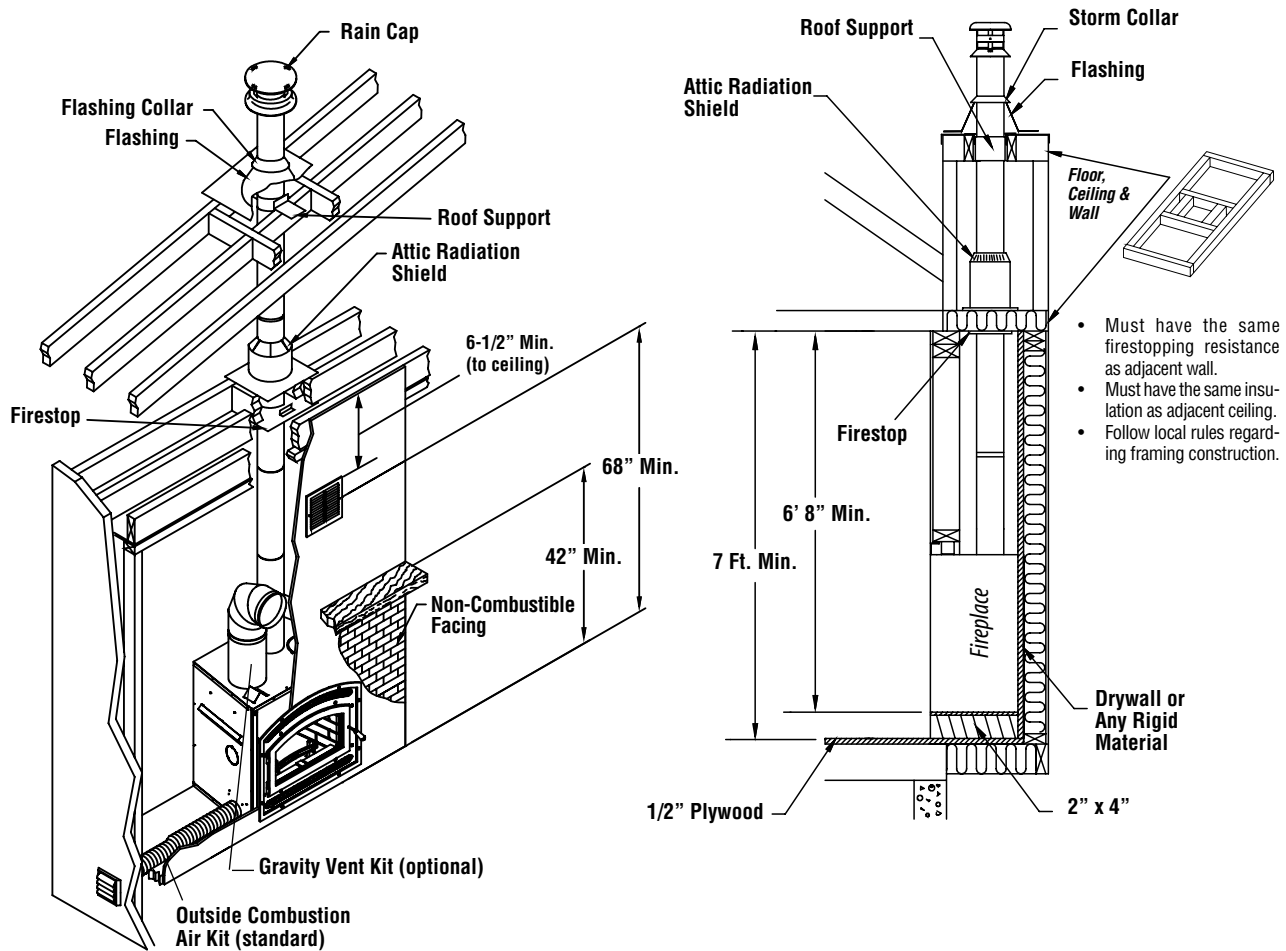


HEARTH PRODUCTS

# Montecito™

## Wood Fireplaces Specifications

Typical Installations



Combustible Clearances

### CLEARANCE TO COMBUSTIBLES

The following clearances meet the minimum requirements for a safe installation:

**Side wall:** 17" (324 mm) measured from the fireplace side.

**Ceiling:** 6' 8" (2032 mm) measured from the base of the fireplace.

**Fireplace enclosure:**

- Bottom:** 0"
- Side:** 0"
- Back:** 0"

**Top:** Do not fill the space above the fireplace with any material (Except the wood framing)

**Chimney:** 2" (50 mm)

**Mantel:** 42" (1067 mm) measured from the base of the fireplace.

