

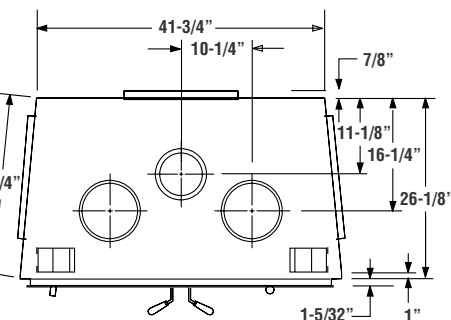
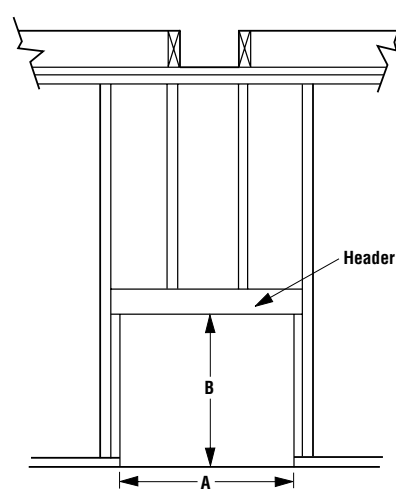
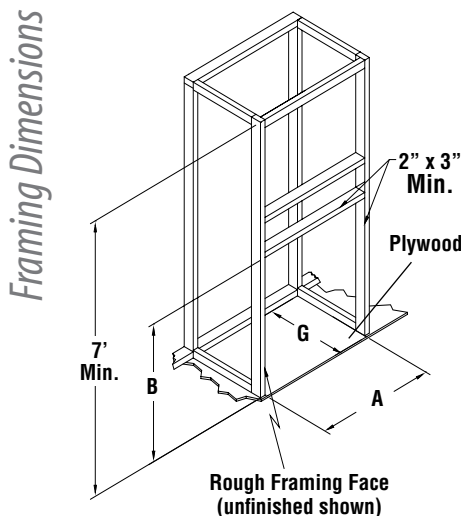
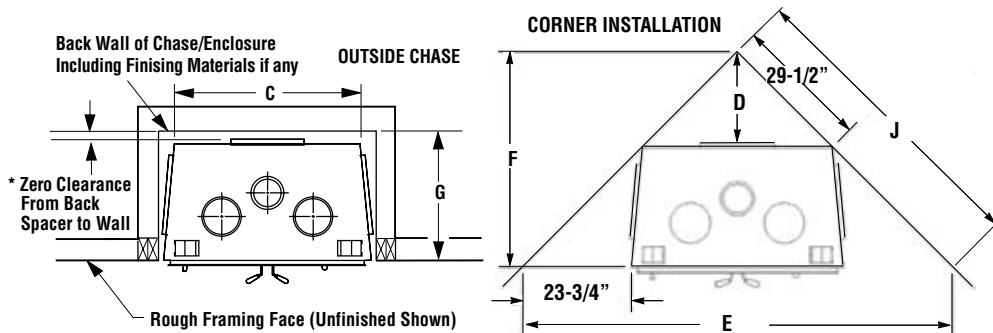
Montecito Estate™

Wood Fireplaces Specifications

PRODUCT REFERENCE INFORMATION	
Model: MONTEST, Cat. No. H4842	
Weight	450 lbs
Height	49-3/8"
Width	46-1/4"
Depth	27"
Firebox W x H x D measured in front	31" x 14-1/2" x 14"
Chimney weight - Secure Temp ^{GX} (7" dia)	9.5 lb/ft.
Chimney weight - ACBI	3.75 lb/ft.

FRAMING DIMENSIONS		
Fireplace Opening Width		
A	46-3/8"	1178 mm
B	49-1/2"	1257 mm
C	42-3/4"	1086 mm
D	20-7/8"	530 mm
E	93-7/8"	2384 mm
F	47"	1194 mm
G	27-3/4"	705 mm
J	66-3/8"	1686 mm

* Total depth is 25 inches including the backspacer minus 1/2 inch for drywall to be flush with the facing.



Notes

Due to Lennox' ongoing commitment to quality, all specifications, ratings and dimensions are subject to change without notice.

All framing dimensions calculated for 1/2" dry wall at the fireplace face. If sheathing the chase or finishing with other thickness materials, calculations will need to be made.

* The fireplace must not be in contact with any insulation or loose filling material. Cover the insulation with Drywall panels around the fireplace.

PARTS REQUIRED

- 7" diameter chimney - Model Secure Temp™ S-2100+, Nova Temp™ HT6000+, Secure Temp GX (U.S. only) or ACBI manufactured by Security Chimneys International only, including:
 - Chimney lengths
 - Elbows (where necessary)
 - Associated components as per installation instructions
- **Decorative Door - Required (Order Separately)**
 - Available in Black, Brushed Nickel or Hammered Steel - Order Separately
- **Front Facade kit - Required (Order Separately)**
 - Available in Black, Brushed Nickel or Hammered Steel
- **UZY5 Blower (included)**
- **VRUW Blower Speed Control (included)**
- **Outside air kit (included)**

OPTIONAL EQUIPMENT

- AC Chimney Adaptor (required if using AC Chimney)
- AC chimney outside air kit
- Gravity venting system
- Rigid firescreen

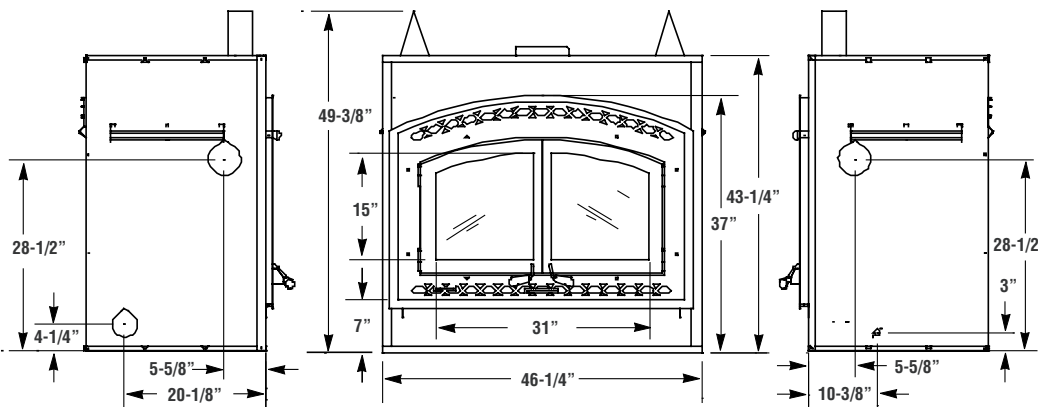
Listing Information



These fireplaces have been tested and listed by ITS - Listing mark, Warnock Hersey to ULC-S610 & UL-127.

Report No. 304-7213
EPA Cert. No. 609

Fireplace Dimensions

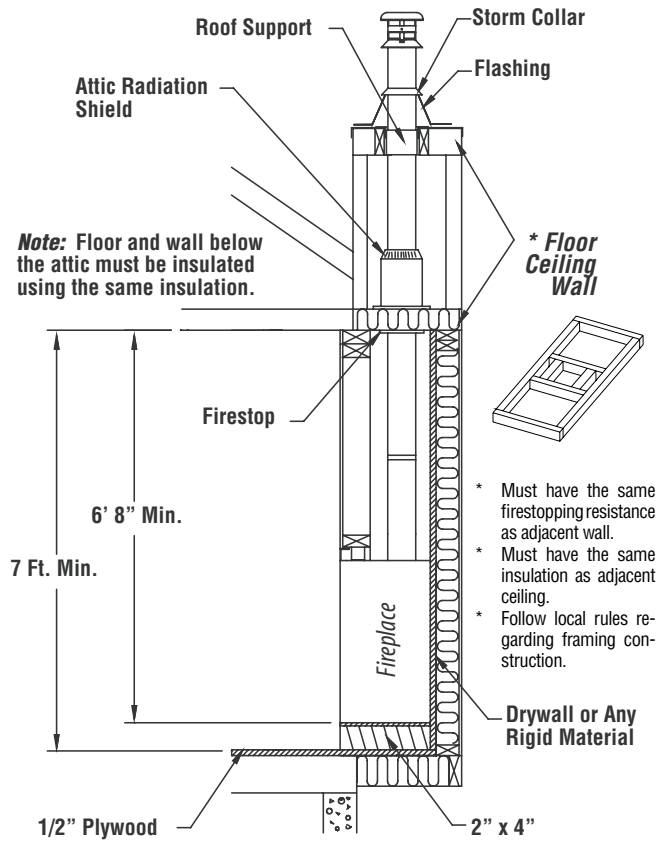
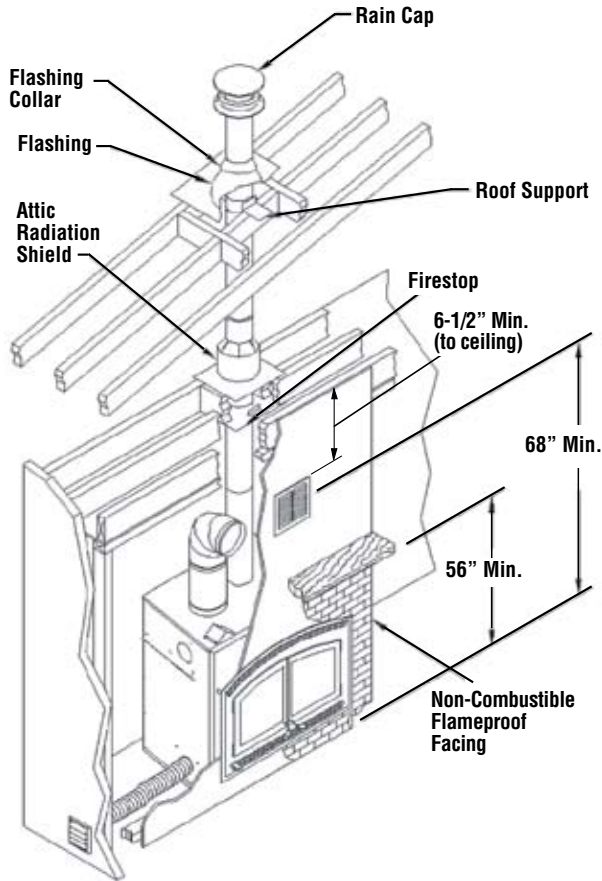


HEARTH PRODUCTS

Montecito Estate™

Wood Fireplaces Specifications

Typical Installations



CLEARANCE TO COMBUSTIBLES

The following clearances meet the minimum requirements for a safe installation:

Side wall: (fireplace front): 24" (457 mm) measured from the fireplace side.

Ceiling: 6' 8" (2032 mm) measured from the base of the fireplace.

Fireplace enclosure:

Bottom: 0"
Side: 0"
Back: 0"

Top: Do not fill the space above the fireplace with any material (Except the wood framing)

Chimney: 2" (50 mm), except for through ceiling application, ACBI chimney, 1" (25 mm) clearance.

Mantel: 56" (1422 mm) measured from the base of the fireplace.

Combustible Clearances

