

# 68" Cast Iron Roll TopTub

Cat. No.  
CTR67



## Cast Iron Tub



L: 68"  
W: 30 1/2"  
H: 23 1/4" (from floor to top of tub)  
18 5/8" (from bottom of tub to top of tub)

**The following is recommended for CTR67 tubs with faucet holes:**

- Tub wall-mounted faucets or hand-held showers
- Double offset bath supplies: part #5576
- Leg tub drain: part #5599

**Dimensions:**

**Gallon Capacity: 57**

**Shipping Weight: 550 lbs.**

**Empty Weight: 309 lbs.**

**Filled Weight: 787 lbs.**

**All CTR67 tubs have 3 3/8" centers in tub wall.**

## Features

- ▶ **Inside Finish: White Enamel**
- ▶ **Ball and Claw Feet Available in 6 Finishes**
- ▶ **Tub Exterior Available as Unfinished (gray primer) or White (epoxy) at NO Extra Charge**
- ▶ **Non-skid Strips**
- ▶ **With Faucet Holes**

**Foot Finishes:**

- BP** Polished Brass
- CP** Polished Chrome
- PN** Polished Nickel
- SN** Brushed Nickel
- WH** White
- ORB** Oil-rubbed Bronze

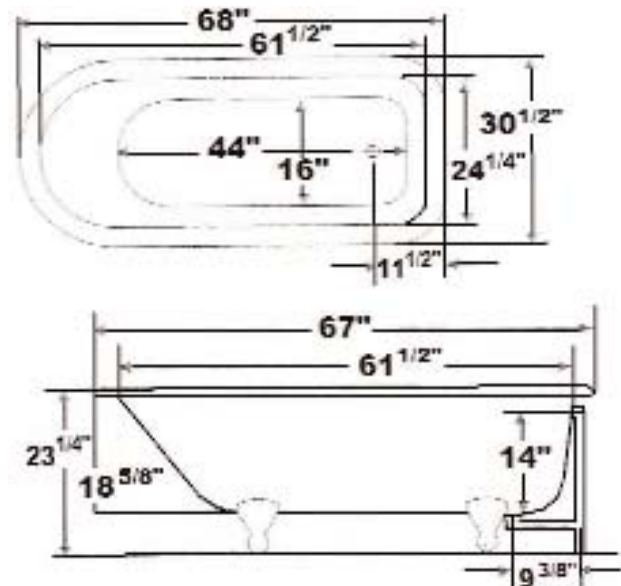
**Compliance Certification**  
Meets or exceeds the following specifications: A112-19-1M 1994.

**Extra Paint Charge** (inside of tub is always white enamel):

**Bisque Paint** - \$150

**Black Paint** - \$150

Bathtubs painted in bisque or black are considered "special order" and are not returnable.



Dimensions of fixture are nominal and may vary within the range of tolerances established by ANSI Standard A112.19.2. Dimensions and specifications subject to change without notice.