



Steambaths and Saunas

Steam Generator

Models: SM-11 / SM-11-IM

Features

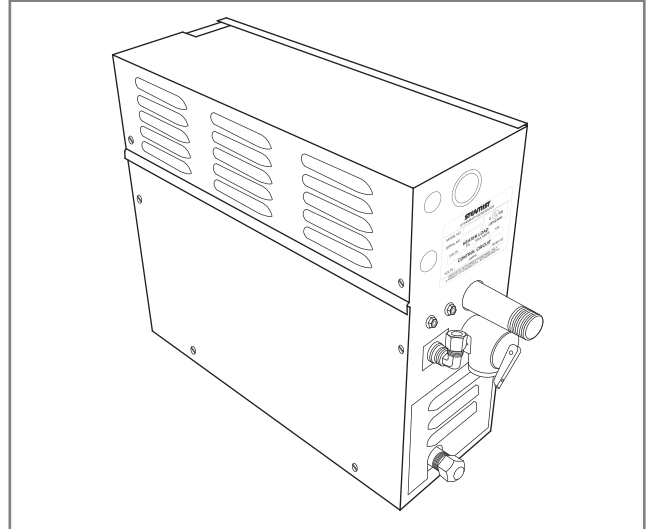
- 5-year parts warranty - 2-year labor warranty
- Generator typically can be installed up to 25 ft. from the bathing area
- Diagnostic LED Displays
- Stainless Steel Construction
- Solid-State Circuitry

Codes/Standards

- UL 499
- UL/CUL Listed
- City of LA - Approved
- City of New York - M.E.A Approved
- State of Mass. Approved

Important

In order for the InstaMist feature to function on model Steam-11-IM, water must always be in the tank. For this reason the optional Auto Drain is NOT available with any InstaMist generators.

SM-11 / SM-11-IM


Steam Generator Specification Chart

Model Number	Product Number	KW Rating	Max. Cu. Ft. Range*	Volts/Phase/Max. Amps	Wire Size 90°C Copper AWG	Line Fuse	Dimensions L x W x H
SM-11	1100	11	400	240/1/46	6	60	17½" x 6½" x 15½"
	1101			208/1/53	6	70	
	1102			240/3/27	8	35	
	1103			208/3/31	8	40	
SM-11-IM	1100-IM	11	400	240/1/46	6	60	17½" x 6½" x 15½"
	1101-IM			208/1/53	6	70	
	1102-IM			240/3/27	8	35	
	1103-IM			208/3/31	8	40	

*Refer to sizing guidelines to accurately determine the proper size generator for the installation.

Required Equipment

TC-110, TC-135, TC-125, TC-150, DSC-425, or DSP Controls

Required Electrical Service

Dedicated circuit required: See Specification Chart for proper electrical requirements

Product Information

- Water Supply - ⅜" Compression Fitting
- Steam Line - ¾" Brass NPT male thread
- Pressure Relief Valve - ¾" NPT female thread
- Drain Line - Capped ½" Brass NPT male thread. Auto Drain ready except for instaMist (IM) models.

Generator

Weight - 40 lbs.

Installation Notes

Steam Generators can be typically mounted within 25 ft. of the bathing area.

Steam Generators should be accessible for service.

Do not install generators outside, in moist, humid area or in an area where parts may freeze or corrode.

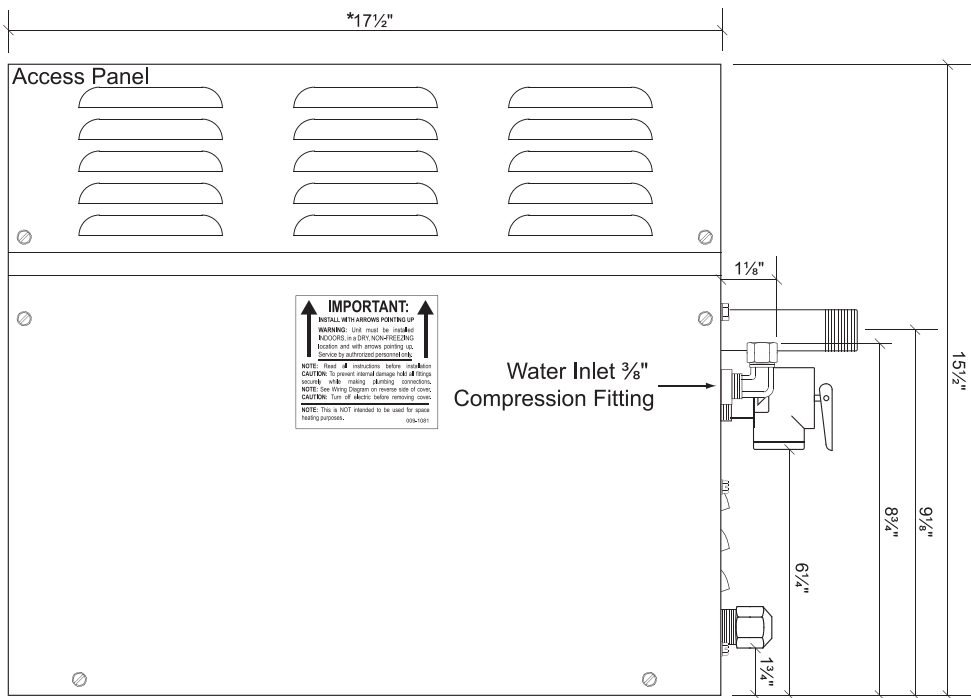
Steamhead to be mounted 18" above floor or 6" above rim of tub and as far from the seating area as possible.

Rough-in Notes

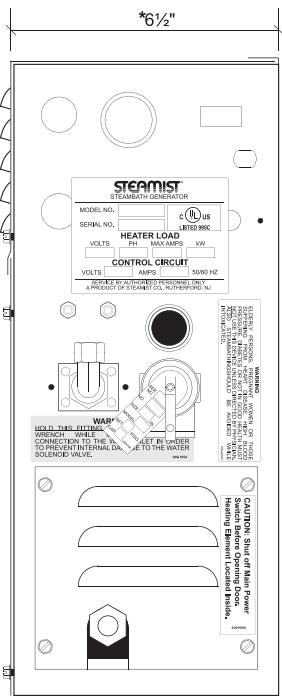
Access: 28" W x 18" D x 20" H (35" W with Auto Drain)

Dimensional Drawing

Models: SM-11 / SM-11-IM

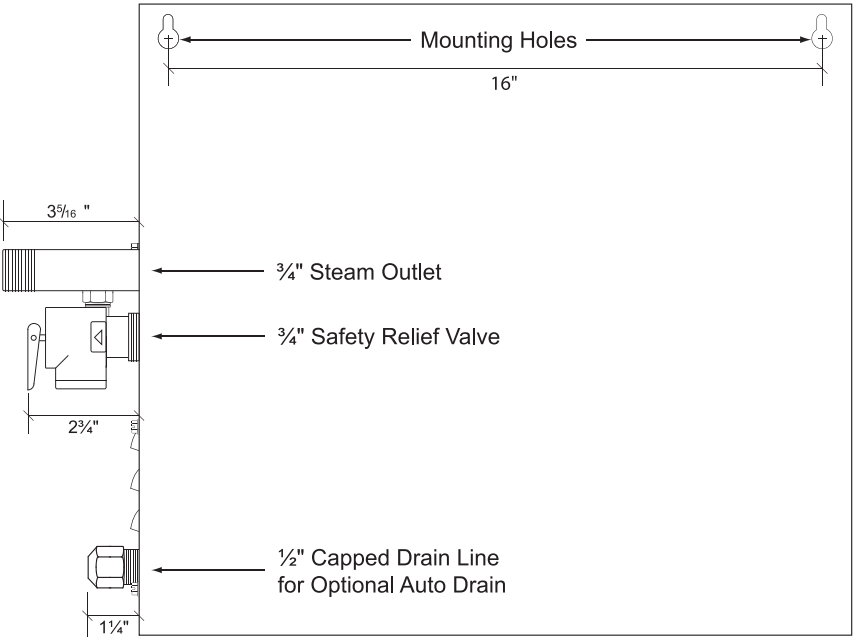


Front Access

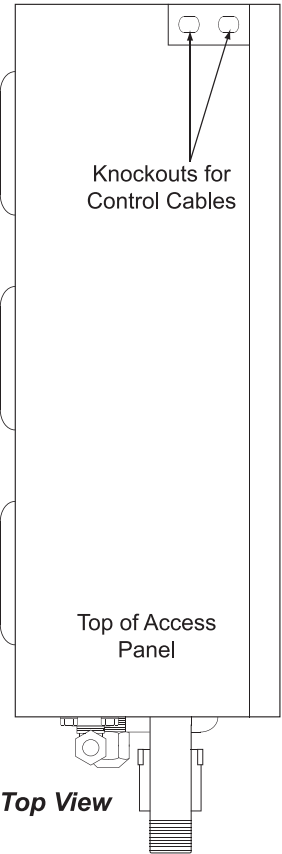


Front Side View

*Add ¼" to the dimension for the louvers



Back View



Top View



East Coast Office: 275 Veterans Blvd., Rutherford, NJ 07070 • Tel: 800-577-6478 • Fax: 201-933-0746
 West Coast Office: 315 W. Pondera St., Suite F, Lancaster, CA 93534 • Tel: 800-355-6478 • Fax: 661-940-1617